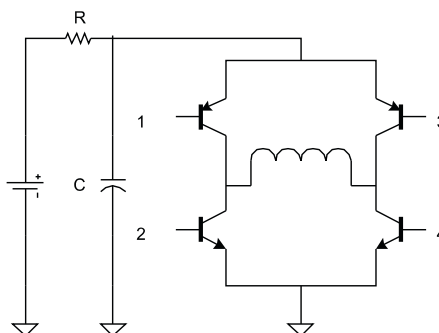
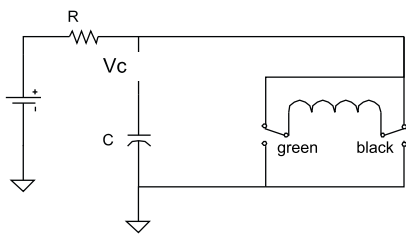


TECHNICAL INFORMATION

Operation driver for latch coils

Non-direct operation with two switches (or four transistors)



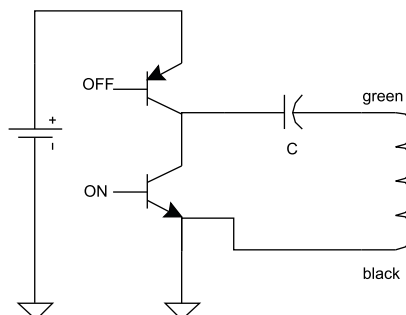
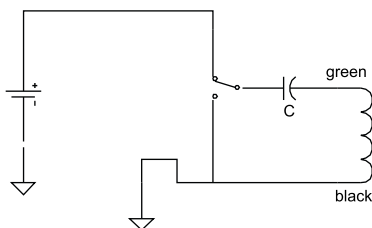
T_{vc} is the time to charge the capacitor. In order to reduce the time, use a similar resistor but never less than 100Ω .

$$C = 4700\mu\text{F}$$

$$T_{vc} = 5 \cdot R \cdot C [\text{sec}]$$

$$t_{\text{on/off}} = 30 \div 50 \text{ ms}$$

Non-direct operation with one switch (or transistor)



$$C = 4700\mu\text{F}$$

$$t_{\text{on/off}} = 30 \div 50 \text{ ms}$$

Direct operation

